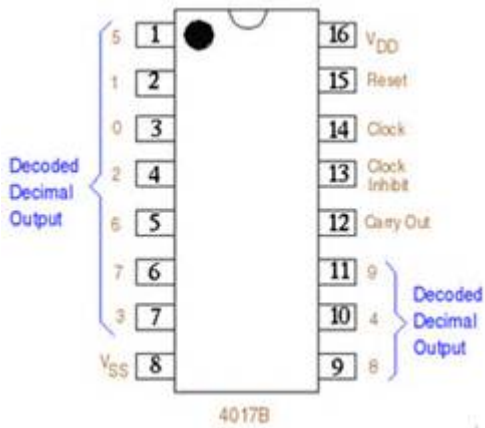


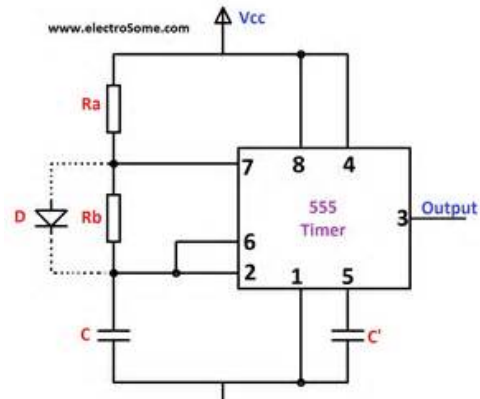
# Quiz 11

Q1 – Match these Electronic diagrams to the answers below:

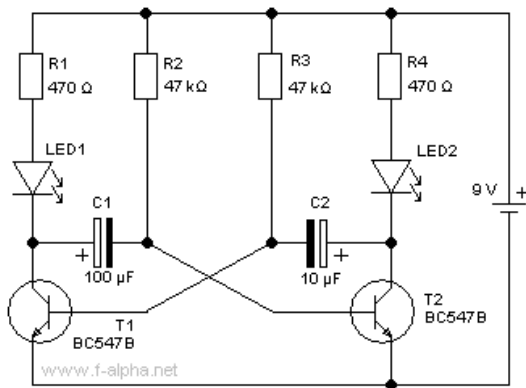
(a)



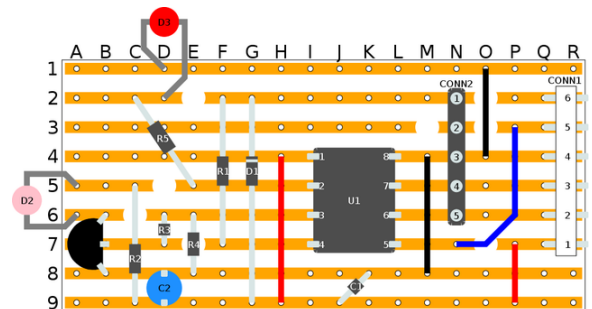
(b)



(b)



(d)

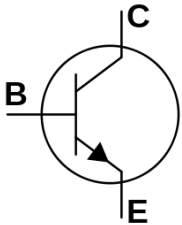


- (1) Circuit Diagram .....
- (2) Component Layout Diagram .....
- (3) Pinning Diagram .....
- (4) Schematic Diagram .....

(8 Points)

Q2 - Match the Symbols below to the electronic devices listed:

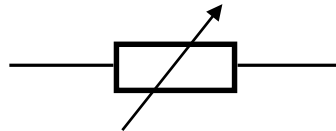
(a)



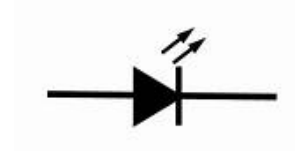
(b)



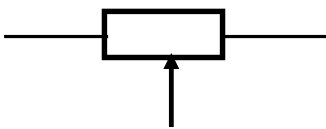
(c)



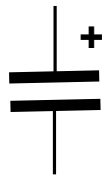
(d)



(e)



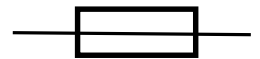
(f)



(g)



(h)



- (1) Resistor .....
- (2) Diode .....
- (3) Variable Resistor .....
- (4) Thermistor .....
- (5) Fuse .....
- (6) BJT .....
- (7) Potentiometer .....
- (8) LED .....
- (9) Unpolarsed Capacitor .....
- (10) FET .....
- (11) Push Switch .....
- (12) Electrolytic Capacitor .....

(8 Points)

Q3 – Match the pictures of the devices below to those listed:

(a)



(b)



(c)



(d)



(e)



(f)



(g)



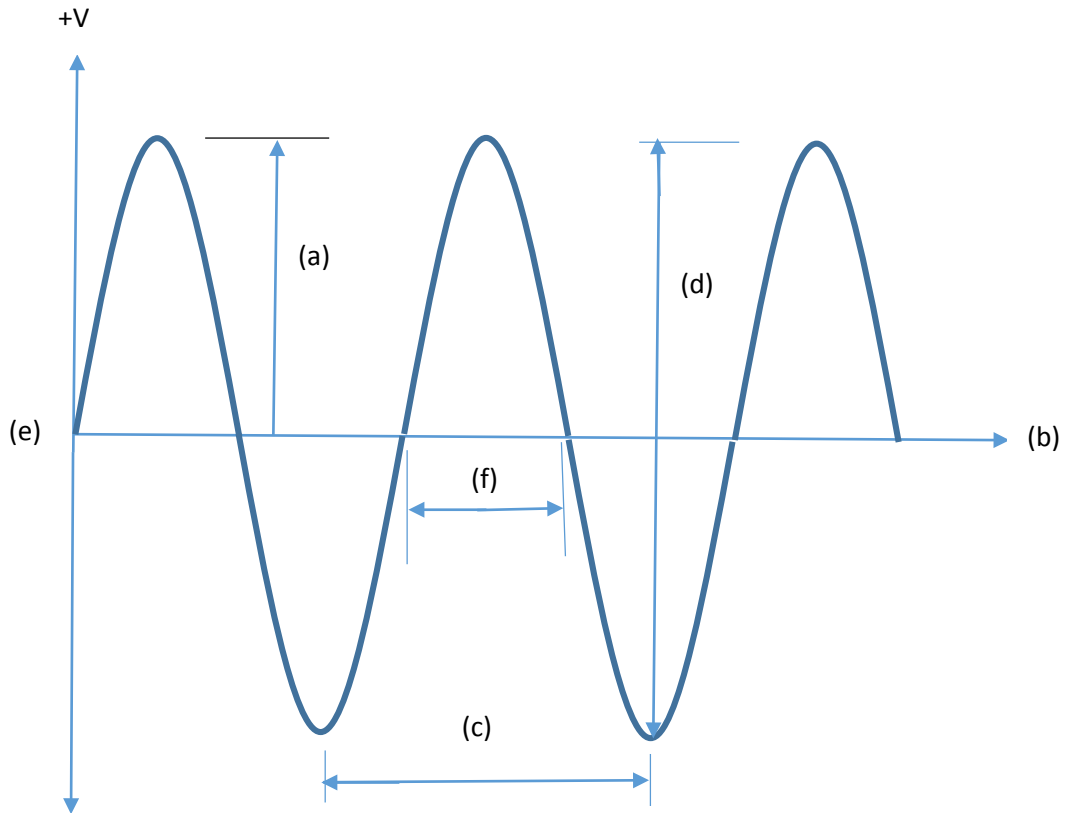
(h)



- (1) Resistor .....
- (2) Diode .....
- (3) Variable Resistor .....
- (4) Heat Sink .....
- (5) Fuse .....
- (6) BJT .....
- (7) Astable I.C. ....
- (8) LED .....
- (9) Unpolarised Capacitor .....
- (10) Heat Shunt .....
- (11) Push Switch .....
- (12) Electrolytic Capacitor .....

(8 Points)

Q4 – Identify the labels on Waveform Diagram below:



- (a) .....
- (b) .....
- (c) .....
- (d) .....
- (e) .....
- (f) .....

(6 Points)

So how well did you do?

Your Score = .....Points

●	+25 Points	: you did extremely well !!!
●	20 – 25 Points	: quite well, but brush-up these areas!!
●	-20 Points	: you need to look hard at the answers to this Quiz !